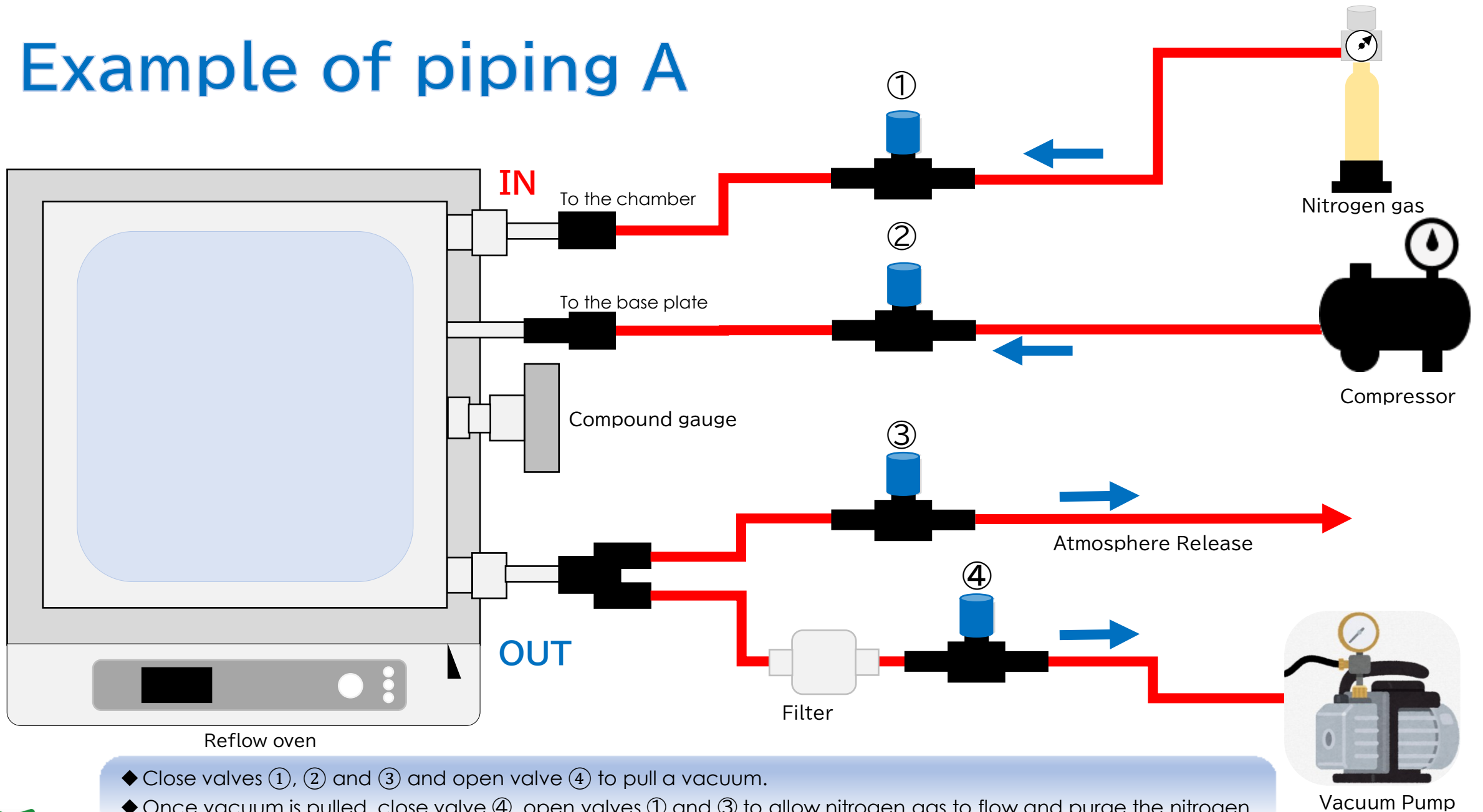


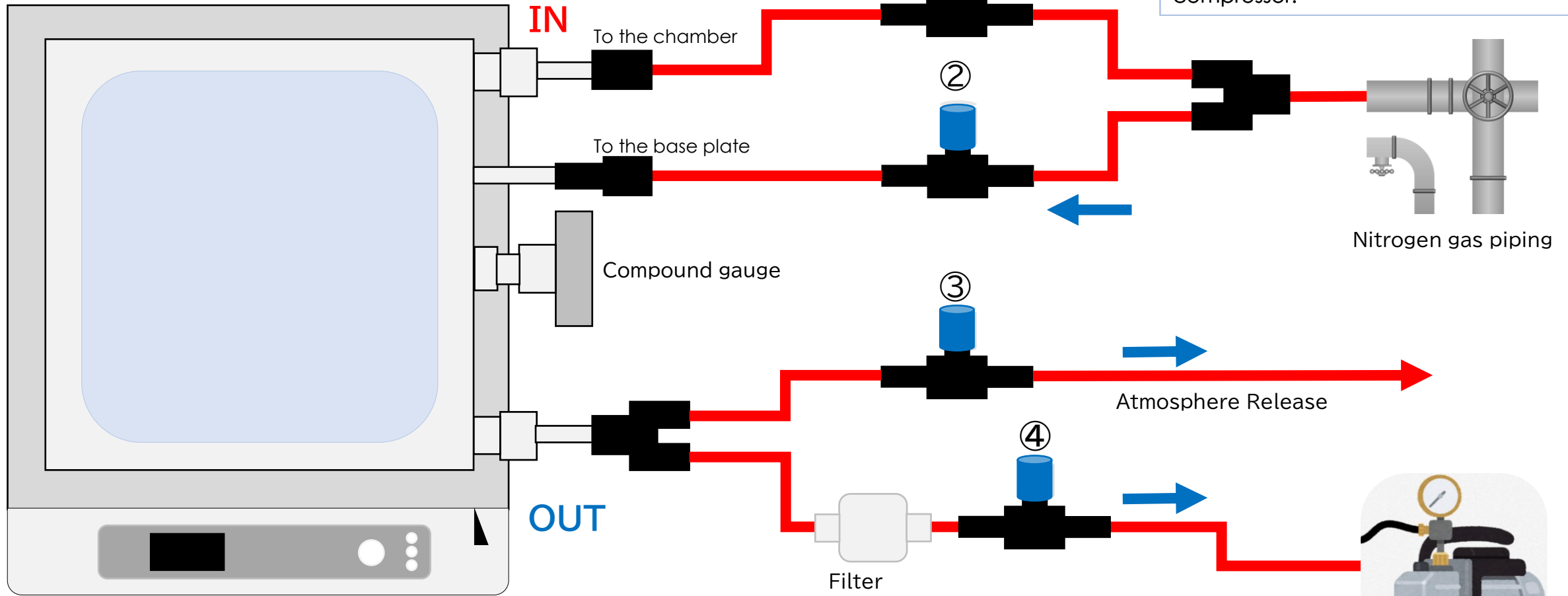
Example of piping A



Reflow oven

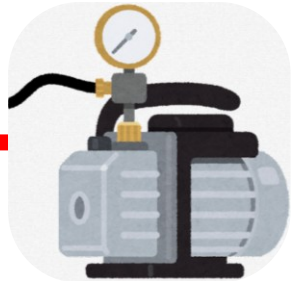
- ◆ Close valves ①, ② and ③ and open valve ④ to pull a vacuum.
- ◆ Once vacuum is pulled, close valve ④, open valves ① and ③ to allow nitrogen gas to flow and purge the nitrogen.
- ◆ After heating, open valves ①, ② and ③ to cool to cool via compressor airflow. After the reflow is finished, take out the object from the chamber.

Example of piping B



As shown in this example, if nitrogen gas piping is available, it can be cooled faster by pouring a large amount of nitrogen gas into the chamber without using a compressor.

Reflow oven



Vacuum Pump

- ◆ Close valves ①, ② and ③ and open valve ④ to pull a vacuum.
- ◆ Once vacuum is pulled, close valve ④, open valves ① and ③ to allow nitrogen gas to flow and purge the nitrogen.
- ◆ After heating, open valves ①, ② and ③ to let in nitrogen gas for cooling. After the reflow is finished, take out the object from the chamber. (It can be cooled faster by letting in nitrogen gas to the base plate only.)