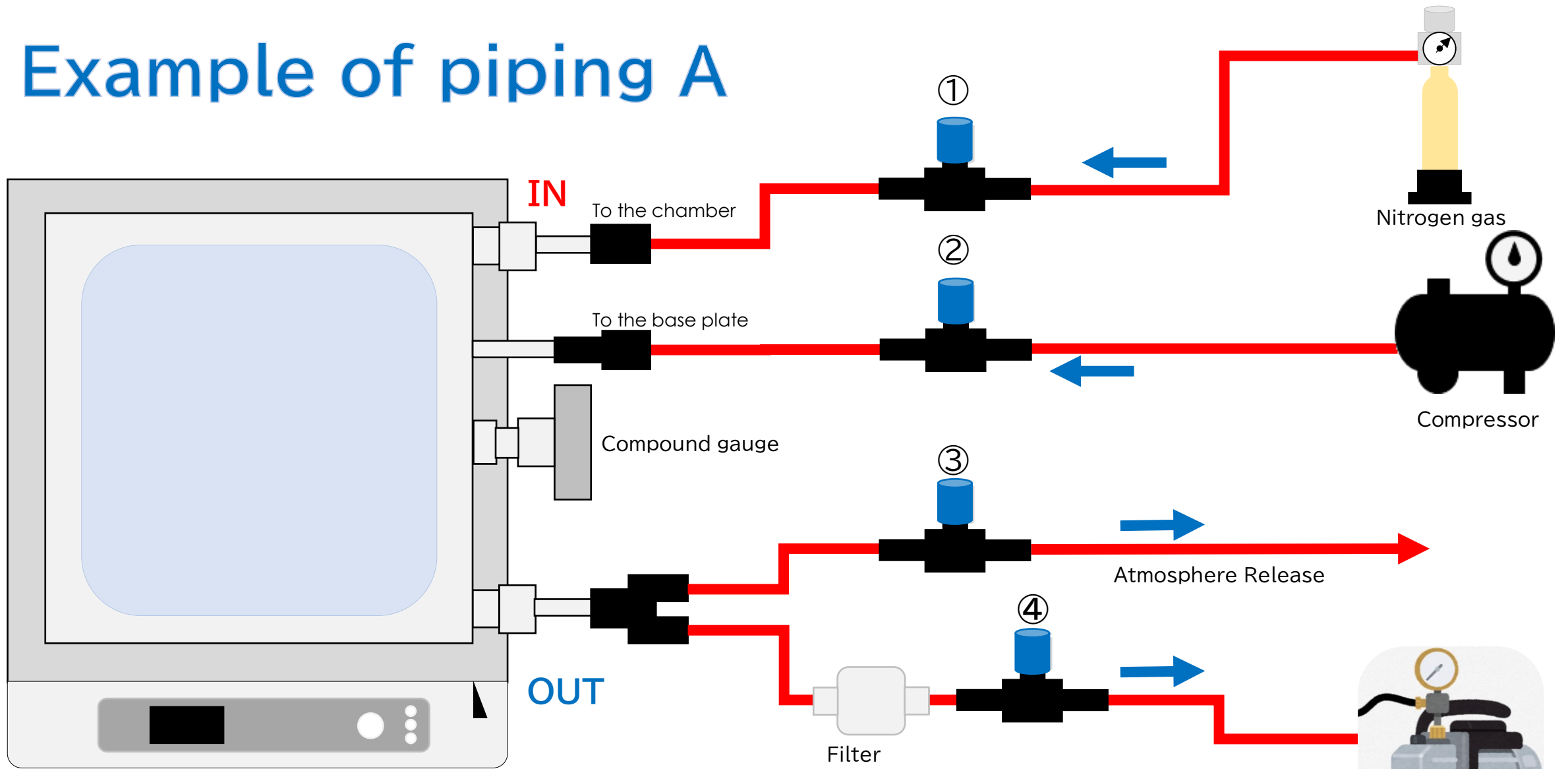


Example of piping A



Reflow oven

- ◆ Close valves ①, ② and ③ and open valve ④ to pull a vacuum.
- ◆ Once vacuum is pulled, close valve ④, open valves ① and ③ to allow nitrogen gas to flow and purge the nitrogen.
- ◆ After heating, open valves ①, ② and ③ to cool to cool via compressor airflow. After the reflow is finished, take out the object from the chamber.